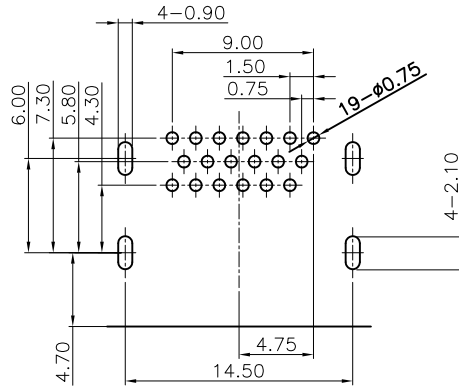
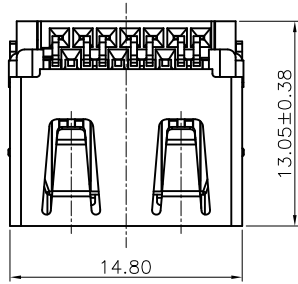


RoHS Compliant

REV.	ZONE	DESCRIPTION	DESIGN	DATE
A		初版发行	Jack	13.06.08



RECOMMENDED PCB LAYOUT(TOP VIEW)

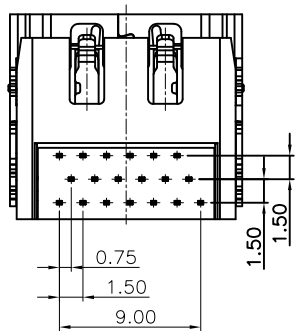
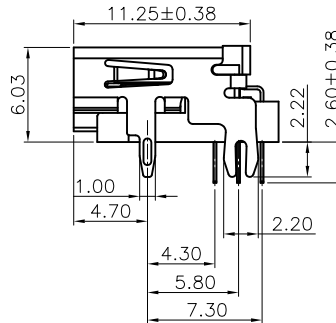
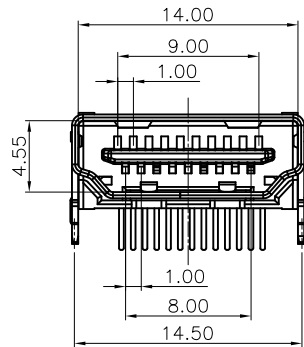
NOTE:

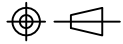
MATERIALS:

1. Housing: LCP Color: Black
2. Contacts: Brass
3. Shell: Brass

PLATING:

1. Contacts: Gold Plated on Contact Area  
Sn Plated on Solderails  
Nickel Under Plated Over All
2. Shell: Nickel Plated



Unless otherwise specified tolerances are		Coorle Technology							
X.X	±0.25	DRAW NO.	ZQ-13-0036	DATE	DRAW NAME:				
X.XX	±0.20								
X.XXX	±0.15	DWN	Jack	13.06.08	HDMI A/F 三排DIP(无柱)鱼叉脚				
X*	±2.0°	CHK			P/N :				
X.X*	±1.0°	APVD							
 Third Angle Project		FINISH			UNIT	SCALE	WEIGHT	REV	SHEET
		MATERIAL			mm	1:1		A	1 OF 1